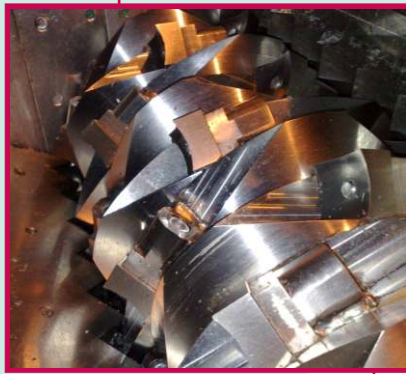
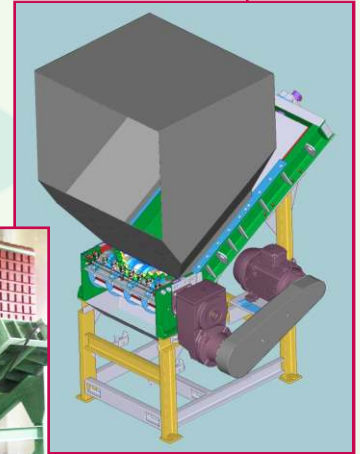


# SINGLE-SHAFT SHREDDERS - DRJ

Type: DRJ 400, 600, 800, 1000

Single-shaft shredders are designed for shredding of various waste to certain output size of the shredded material. Working cylinder is composed from individual segments fitted with cutting plates. The waste is shredded between working cylinder and stator cutting edge. A screen with the desired size of holes is installed under the working cylinder. The size of holes defines the size of the output pieces.

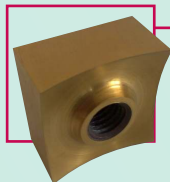
Standard holes size is 8 - 50 mm.



Cutting plates are fixed on holders welded on the segment. Turning and replacement of the cutting plates are easy and short.

As the working cylinder is composed from individual segments, in case of any crash it is sufficient to change only damaged parts not whole cylinder.

Part of the shredder is the hydraulic pressure, which ensures the supply of waste to the working cylinder.



**Shredder DRJ is suitable for processing:**  
Plastics, wood, paper, mixed waste etc.

Type	Width x r cylinder [mm]	Segments width [mm]	Input power + press [ kW ]	Weight [kg]
<b>DRJ 1000</b>	1000 x 300	Knife-40x40x15	18,5-45+1,5-2,2	2410
<b>DRJ 800</b>	800 x 300	Knife-40x40x15	18,5-45+1,5-2,2	2250
<b>DRJ 600</b>	600 x 300	Knife-40x40x15	18,5-45+1,5-2,2	1980
<b>DRJ 400</b>	400 x 300	Knife-40x40x15	18,5-45+1,5-2,2	1730